

*Not to Scale

ALL DRAWINGS DESIGN, SPECIFICATIONS AND COPIES FURNISHED BY RENIN CANADA ARE AND SHALL REMAIN AS ITS EXCLUSIVE PROPERTY AND ARE NOT TO BE USED ON ANY OTHER PROJECT OR REPRODUCED, COPIED, ALTERED AND MODIFIED IN WHOLE OR IN PART AND FOR WHATEVER PURPOSE INTENDED WITHOUT THE WRITTEN CONSENT OF THE OWNER (RENIN CANADA). THEY ARE TO BE RETURNED TO RENIN UPON REQUEST OR UPON THE COMPLETION OF THE PROJECT.

REVIEW OF THE SUBMISSION IS FOR COMPLIANCE WITH GENERAL INTENT OF THE CONTRACT. THIS REVIEW DOES NOT RELIEVE THE SUB-CONTRACTOR, SUPPLIER OR MANUFACTURER OF RESPONSIBILITY FOR ERROR OR OMISSIONS IN THE SUBMISSION OR RESPONSIBILITY OF MEETING ALL REQUIREMENTS OF THE CONTRACT DOCUMENTS. ANY DEVIATION FROM THE CONTRACT DOCUMENTS INITIATED BY THE SUB-CONTRACTOR, SUPPLIER OR MANUFACTURER SHALL BE AT HIS SOLE RISK. QUANTITIES AND RETAIL DIMENSIONS ARE SUB-CONTRACTORS OR SUPPLIER RESPONSIBILITY. VERIFY DATA WITH FIELD DIMENSION.

RENIN CANADA ASSUMES NO RESPONSIBILITY AS TO MEASUREMENTS OR DETAIL AFFECTING ANY WORK BUT ITS OWN AND IS NOT RESPONSIBLE FOR ANY ERRORS OCCURRING THROUGH THE USE OF THESE DRAWINGS BY OTHER PARTIES.



110 Walker Drive
Brampton, Ontario L6T 4H6
✉ info@renin.com
🌐 www.renin.com

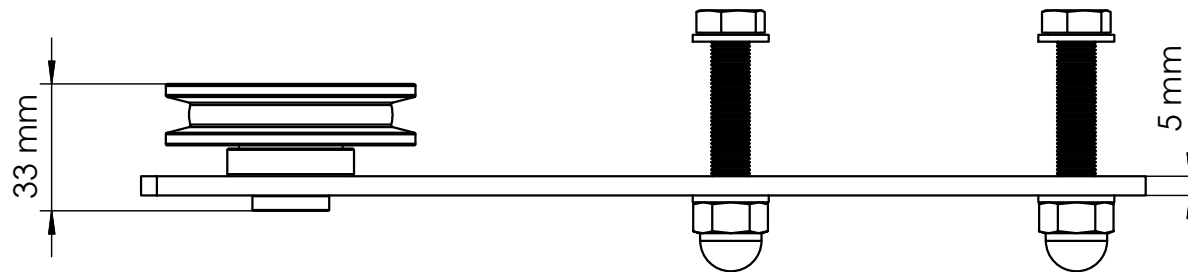
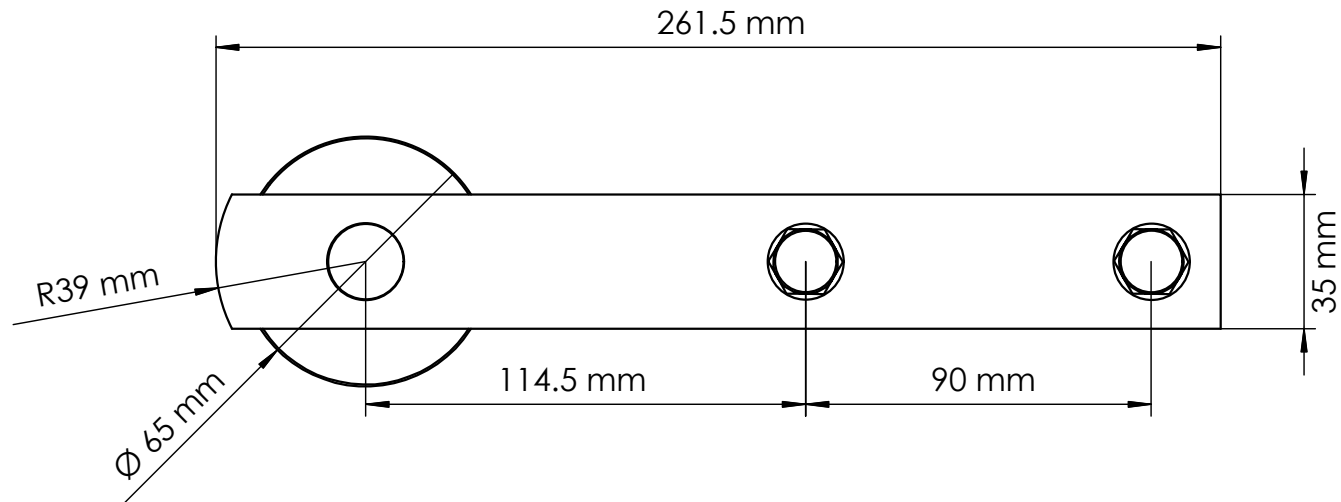
PART NUMBER: BD5001-09600
PRODUCT NAME: Cadium Barn Door Hardware Track

DESCRIPTION
96 inches - Flat Track, Matte Black Finish

SCALE: 1:250
DATE: OCT. 30 2020

SHEET No:

1 of 1



ALL DRAWINGS DESIGN, SPECIFICATIONS AND COPIES FURNISHED BY RENIN CANADA ARE AND SHALL REMAIN AS ITS EXCLUSIVE PROPERTY AND ARE NOT TO BE USED ON ANY OTHER PROJECT OR REPRODUCED, COPIED, ALTERED AND MODIFIED IN WHOLE OR IN PART AND FOR WHATEVER PURPOSE INTENDED WITHOUT THE WRITTEN CONSENT OF THE OWNER (RENIN CANADA). THEY ARE TO BE RETURNED TO RENIN UPON REQUEST OR UPON THE COMPLETION OF THE PROJECT.

REVIEW OF THE SUBMISSION IS FOR COMPLIANCE WITH GENERAL INTENT OF THE CONTRACT. THIS REVIEW DOES NOT RELIEVE THE SUB-CONTRACTOR, SUPPLIER OR MANUFACTURER OF RESPONSIBILITY FOR ERROR OR OMISSIONS IN THE SUBMISSION OR RESPONSIBILITY OF MEETING ALL REQUIREMENTS OF THE CONTRACT DOCUMENTS. ANY DEVIATION FROM THE CONTRACT DOCUMENTS INITIATED BY THE SUB-CONTRACTOR, SUPPLIER OR MANUFACTURER SHALL BE AT HIS SOLE RISK. QUANTITIES AND RETAIL DIMENSIONS ARE SUB-CONTRACTORS OR SUPPLIER RESPONSIBILITY. VERIFY DATA WITH FIELD DIMENSION.

RENIN CANADA ASSUMES NO RESPONSIBILITY AS TO MEASUREMENTS OR DETAIL AFFECTING ANY WORK BUT ITS OWN AND IS NOT RESPONSIBLE FOR ANY ERRORS OCCURRING THROUGH THE USE OF THESE DRAWINGS BY OTHER PARTIES.



110 Walker Drive
Brampton, Ontario L6T 4H6
✉ info@renin.com
🌐 www.renin.com

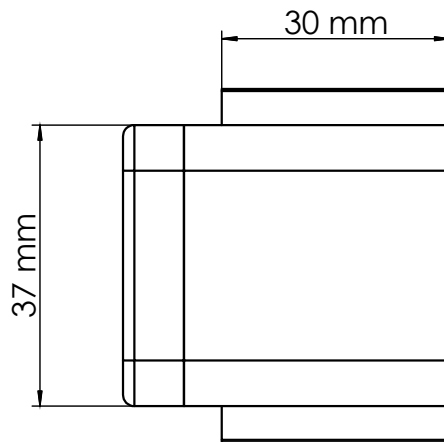
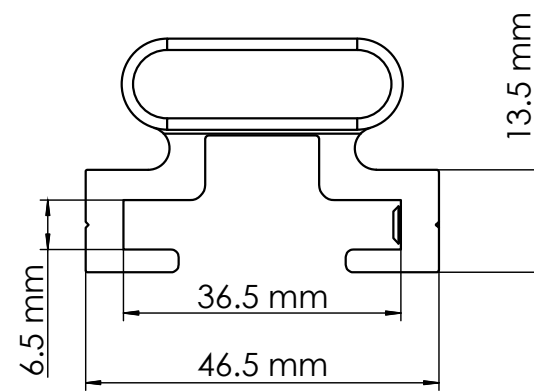
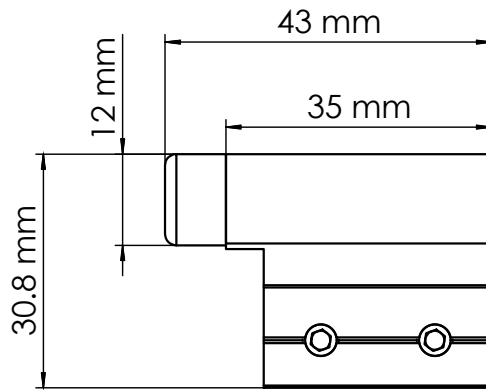
PART NUMBER: BD202
PRODUCT NAME: Cadium Bent Strap Barn Door Hardware

DESCRIPTION
Bent Strap with 1 1/8 inches Hanging Bolt

SCALE: 1:50
DATE: OCT. 30 2020

SHEET No:

1 of 1



ALL DRAWINGS DESIGN, SPECIFICATIONS AND COPIES FURNISHED BY RENIN CANADA ARE AND SHALL REMAIN AS ITS EXCLUSIVE PROPERTY AND ARE NOT TO BE USED ON ANY OTHER PROJECT OR REPRODUCED, COPIED, ALTERED AND MODIFIED IN WHOLE OR IN PART AND FOR WHATEVER PURPOSE INTENDED WITHOUT THE WRITTEN CONSENT OF THE OWNER (RENIN CANADA). THEY ARE TO BE RETURNED TO RENIN UPON REQUEST OR UPON THE COMPLETION OF THE PROJECT.

REVIEW OF THE SUBMISSION IS FOR COMPLIANCE WITH GENERAL INTENT OF THE CONTRACT. THIS REVIEW DOES NOT RELIEVE THE SUB-CONTRACTOR, SUPPLIER OR MANUFACTURER OF RESPONSIBILITY FOR ERROR OR OMISSIONS IN THE SUBMISSION OR RESPONSIBILITY OF MEETING ALL REQUIREMENTS OF THE CONTRACT DOCUMENTS. ANY DEVIATION FROM THE CONTRACT DOCUMENTS INITIATED BY THE SUB-CONTRACTOR, SUPPLIER OR MANUFACTURER SHALL BE AT HIS SOLE RISK. QUANTITIES AND RETAIL DIMENSIONS ARE SUB-CONTRACTORS OR SUPPLIER RESPONSIBILITY. VERIFY DATA WITH FIELD DIMENSION.

RENIN CANADA ASSUMES NO RESPONSIBILITY AS TO MEASUREMENTS OR DETAIL AFFECTING ANY WORK BUT ITS OWN AND IS NOT RESPONSIBLE FOR ANY ERRORS OCCURRING THROUGH THE USE OF THESE DRAWINGS BY OTHER PARTIES.



110 Walker Drive
Brampton, Ontario L6T 4H6
✉ info@renin.com
🌐 www.renin.com

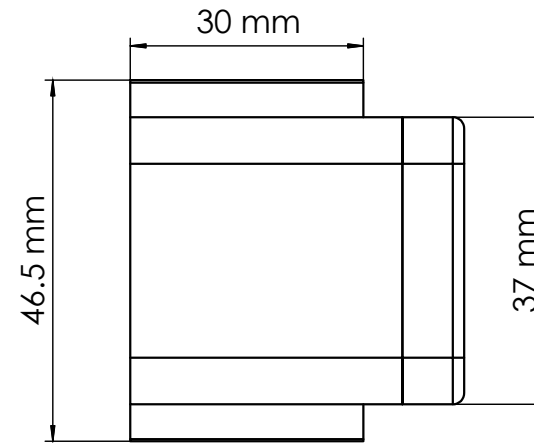
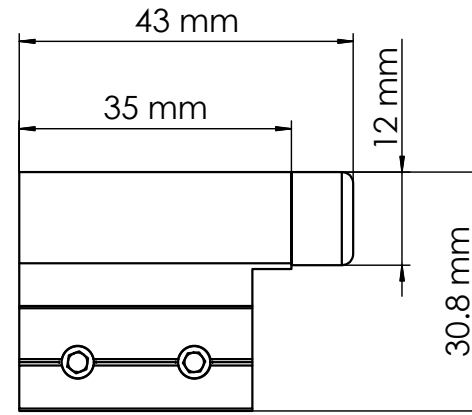
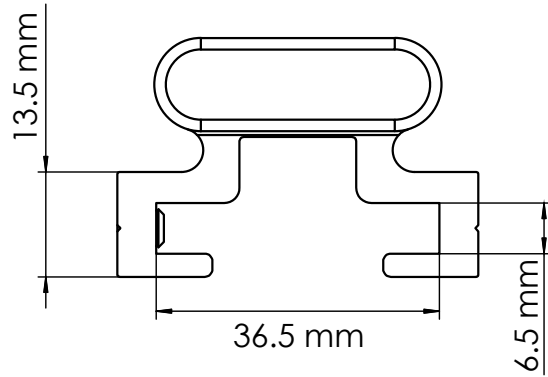
PART NUMBER: BD860 (Left)
PRODUCT NAME: Cadium Barn Door Hardware End Stops

DESCRIPTION
Left End Stop

SCALE: 1:25
DATE: OCT. 30 2020

SHEET No:

1 of 1



ALL DRAWINGS DESIGN, SPECIFICATIONS AND COPIES FURNISHED BY RENIN CANADA ARE AND SHALL REMAIN AS ITS EXCLUSIVE PROPERTY AND ARE NOT TO BE USED ON ANY OTHER PROJECT OR REPRODUCED, COPIED, ALTERED AND MODIFIED IN WHOLE OR IN PART AND FOR WHATEVER PURPOSE INTENDED WITHOUT THE WRITTEN CONSENT OF THE OWNER (RENIN CANADA). THEY ARE TO BE RETURNED TO RENIN UPON REQUEST OR UPON THE COMPLETION OF THE PROJECT.

REVIEW OF THE SUBMISSION IS FOR COMPLIANCE WITH GENERAL INTENT OF THE CONTRACT. THIS REVIEW DOES NOT RELIEVE THE SUB-CONTRACTOR, SUPPLIER OR MANUFACTURER OF RESPONSIBILITY FOR ERROR OR OMISSIONS IN THE SUBMISSION OR RESPONSIBILITY OF MEETING ALL REQUIREMENTS OF THE CONTRACT DOCUMENTS. ANY DEVIATION FROM THE CONTRACT DOCUMENTS INITIATED BY THE SUB-CONTRACTOR, SUPPLIER OR MANUFACTURER SHALL BE AT HIS SOLE RISK. QUANTITIES AND RETAIL DIMENSIONS ARE SUB-CONTRACTORS OR SUPPLIER RESPONSIBILITY. VERIFY DATA WITH FIELD DIMENSION.

RENIN CANADA ASSUMES NO RESPONSIBILITY AS TO MEASUREMENTS OR DETAIL AFFECTING ANY WORK BUT ITS OWN AND IS NOT RESPONSIBLE FOR ANY ERRORS OCCURRING THROUGH THE USE OF THESE DRAWINGS BY OTHER PARTIES.



110 Walker Drive
Brampton, Ontario L6T 4H6
✉ info@renin.com
🌐 www.renin.com

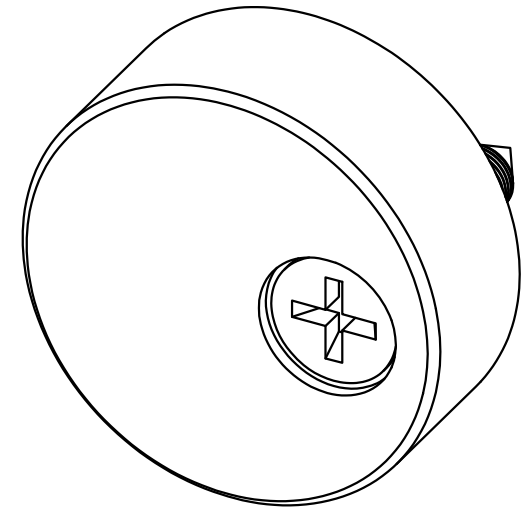
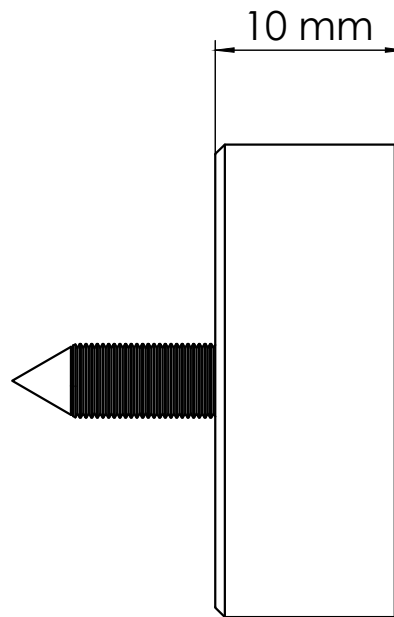
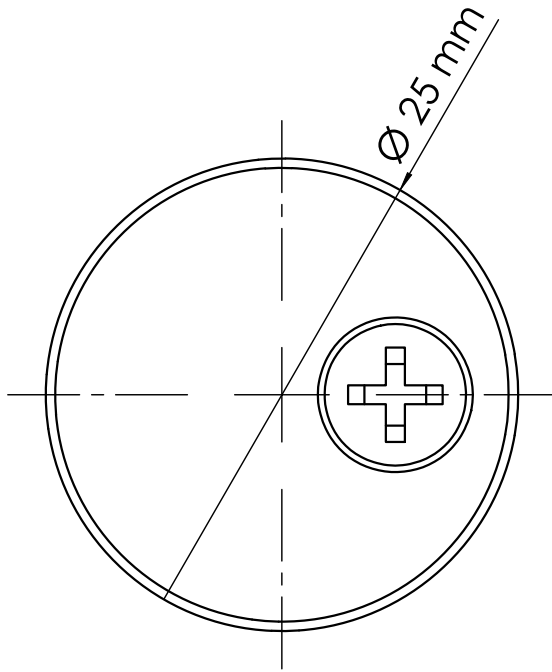
PART NUMBER: BD860 (Right)
PRODUCT NAME: Cadium Barn Door Hardware End Stops

DESCRIPTION
Right End Stop

SCALE: 1:25
DATE: OCT. 30 2020

SHEET No:

1 of 1



ALL DRAWINGS DESIGN, SPECIFICATIONS AND COPIES FURNISHED BY RENIN CANADA ARE AND SHALL REMAIN AS ITS EXCLUSIVE PROPERTY AND ARE NOT TO BE USED ON ANY OTHER PROJECT OR REPRODUCED, COPIED, ALTERED AND MODIFIED IN WHOLE OR IN PART AND FOR WHATEVER PURPOSE INTENDED WITHOUT THE WRITTEN CONSENT OF THE OWNER (RENIN CANADA). THEY ARE TO BE RETURNED TO RENIN UPON REQUEST OR UPON THE COMPLETION OF THE PROJECT.

REVIEW OF THE SUBMISSION IS FOR COMPLIANCE WITH GENERAL INTENT OF THE CONTRACT. THIS REVIEW DOES NOT RELIEVE THE SUB-CONTRACTOR, SUPPLIER OR MANUFACTURER OF RESPONSIBILITY FOR ERROR OR OMISSIONS IN THE SUBMISSION OR RESPONSIBILITY OF MEETING ALL REQUIREMENTS OF THE CONTRACT DOCUMENTS. ANY DEVIATION FROM THE CONTRACT DOCUMENTS INITIATED BY THE SUB-CONTRACTOR, SUPPLIER OR MANUFACTURER SHALL BE AT HIS SOLE RISK. QUANTITIES AND RETAIL DIMENSIONS ARE SUB-CONTRACTORS OR SUPPLIER RESPONSIBILITY. VERIFY DATA WITH FIELD DIMENSION.

RENIN CANADA ASSUMES NO RESPONSIBILITY AS TO MEASUREMENTS OR DETAIL AFFECTING ANY WORK BUT ITS OWN AND IS NOT RESPONSIBLE FOR ANY ERRORS OCCURRING THROUGH THE USE OF THESE DRAWINGS BY OTHER PARTIES.



110 Walker Drive
Brampton, Ontario L6T 4H6
✉ info@renin.com
🌐 www.renin.com

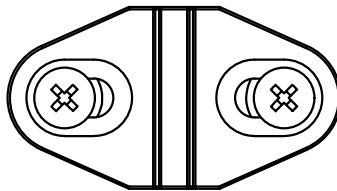
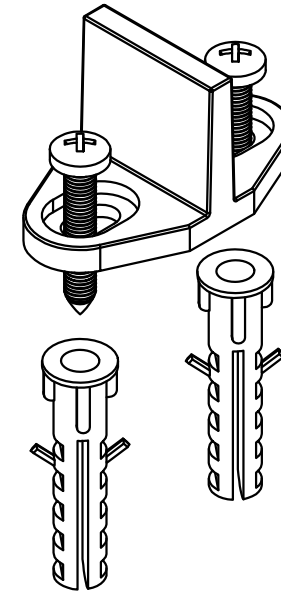
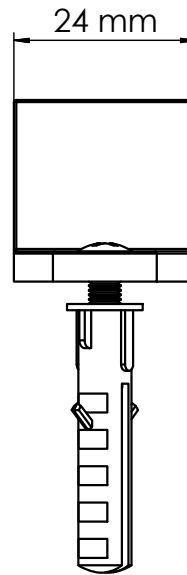
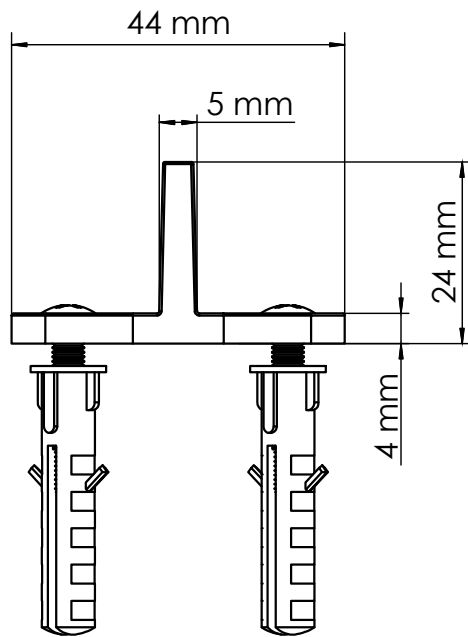
PART NUMBER: BD790
PRODUCT NAME: Barn Door Hardware Anti-Jump Discs

DESCRIPTION
Pair of Black Nylon Anti-Jump Blocks

SCALE: 1:10
DATE: OCT. 30 2020

SHEET No:

1 of 1



ALL DRAWINGS DESIGN, SPECIFICATIONS AND COPIES FURNISHED BY RENIN CANADA ARE AND SHALL REMAIN AS ITS EXCLUSIVE PROPERTY AND ARE NOT TO BE USED ON ANY OTHER PROJECT OR REPRODUCED, COPIED, ALTERED AND MODIFIED IN WHOLE OR IN PART AND FOR WHATEVER PURPOSE INTENDED WITHOUT THE WRITTEN CONSENT OF THE OWNER (RENIN CANADA). THEY ARE TO BE RETURNED TO RENIN UPON REQUEST OR UPON THE COMPLETION OF THE PROJECT.

REVIEW OF THE SUBMISSION IS FOR COMPLIANCE WITH GENERAL INTENT OF THE CONTRACT. THIS REVIEW DOES NOT RELIEVE THE SUB-CONTRACTOR, SUPPLIER OR MANUFACTURER OF RESPONSIBILITY FOR ERROR OR OMISSIONS IN THE SUBMISSION OR RESPONSIBILITY OF MEETING ALL REQUIREMENTS OF THE CONTRACT DOCUMENTS. ANY DEVIATION FROM THE CONTRACT DOCUMENTS INITIATED BY THE SUB-CONTRACTOR, SUPPLIER OR MANUFACTURER SHALL BE AT HIS SOLE RISK. QUANTITIES AND RETAIL DIMENSIONS ARE SUB-CONTRACTORS OR SUPPLIER RESPONSIBILITY. VERIFY DATA WITH FIELD DIMENSION.

RENIN CANADA ASSUMES NO RESPONSIBILITY AS TO MEASUREMENTS OR DETAIL AFFECTING ANY WORK BUT ITS OWN AND IS NOT RESPONSIBLE FOR ANY ERRORS OCCURRING THROUGH THE USE OF THESE DRAWINGS BY OTHER PARTIES.



110 Walker Drive
Brampton, Ontario L6T 4H6
✉ info@renin.com
🌐 www.renin.com

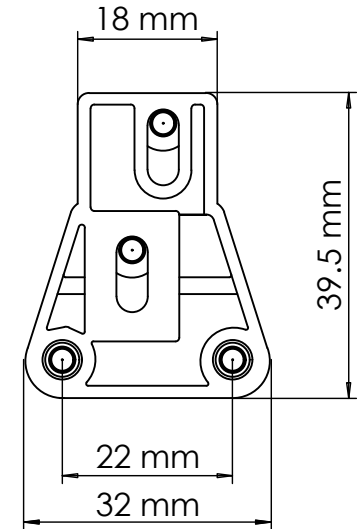
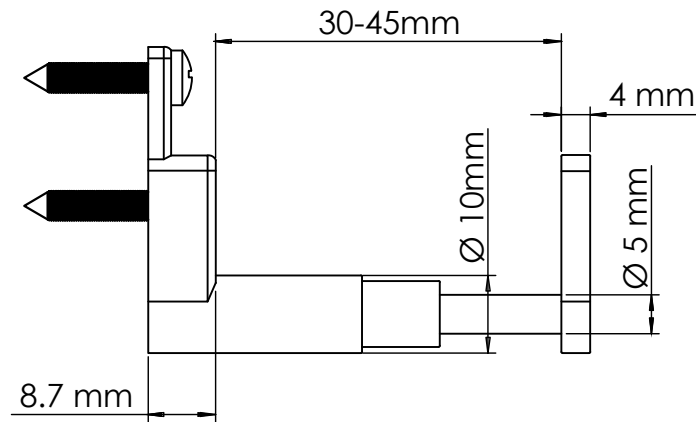
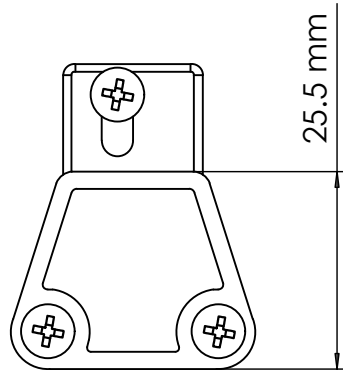
PART NUMBER: BD750
PRODUCT NAME: Barn Door Hardware Floor Mount Guide

DESCRIPTION
Black Nylon Floor Mounted Bottom Guide

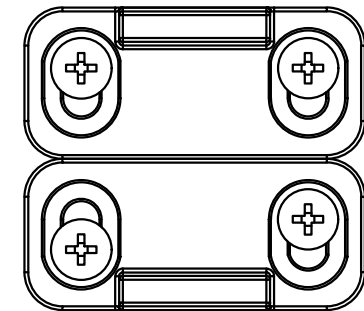
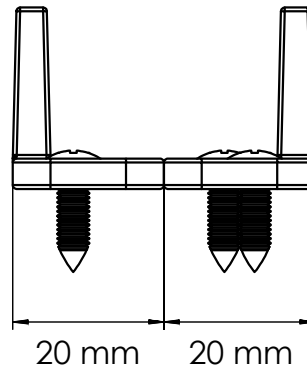
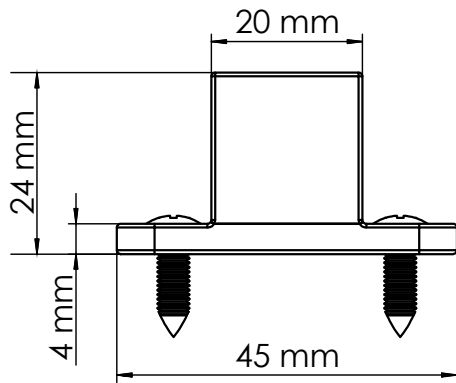
SCALE: 1:25
DATE: OCT. 30 2020

SHEET No:

1 of 1



Wall Mount Guides



Floor Mount Guides

ALL DRAWINGS DESIGN, SPECIFICATIONS AND COPIES FURNISHED BY RENIN CANADA ARE AND SHALL REMAIN AS ITS EXCLUSIVE PROPERTY AND ARE NOT TO BE USED ON ANY OTHER PROJECT OR REPRODUCED, COPIED, ALTERED AND MODIFIED IN WHOLE OR IN PART AND FOR WHATEVER PURPOSE INTENDED WITHOUT THE WRITTEN CONSENT OF THE OWNER (RENIN CANADA). THEY ARE TO BE RETURNED TO RENIN UPON REQUEST OR UPON THE COMPLETION OF THE PROJECT.

REVIEW OF THE SUBMISSION IS FOR COMPLIANCE WITH GENERAL INTENT OF THE CONTRACT. THIS REVIEW DOES NOT RELIEVE THE SUB-CONTRACTOR, SUPPLIER OR MANUFACTURER OF RESPONSIBILITY FOR ERROR OR OMISSIONS IN THE SUBMISSION OR RESPONSIBILITY OF MEETING ALL REQUIREMENTS OF THE CONTRACT DOCUMENTS. ANY DEVIATION FROM THE CONTRACT DOCUMENTS INITIATED BY THE SUB-CONTRACTOR, SUPPLIER OR MANUFACTURER SHALL BE AT HIS SOLE RISK. QUANTITIES AND RETAIL DIMENSIONS ARE. SUB-CONTRACTORS OR SUPPLIER RESPONSIBILITY. VERIFY DATA WITH FIELD DIMENSION.

RENIN CANADA ASSUMES NO RESPONSIBILITY AS TO MEASUREMENTS OR DETAIL AFFECTING ANY WORK BUT ITS OWN AND IS NOT RESPONSIBLE FOR ANY ERRORS OCCURRING THROUGH THE USE OF THESE DRAWINGS BY OTHER PARTIES.



110 Walker Drive
Brampton, Ontario L6T 4H6

✉ info@renin.com
🌐 www.renin.com

PART NUMBER: HW99161
PRODUCT NAME: Barn Door Hardware Wall & Floor Mount Guides

DESCRIPTION
Optional White/Black Wall or Floor Mounted Bottom Guides

SCALE: 1:25
DATE: OCT. 30 2020

SHEET No:

1 of 1