

Tribeca

Barn Door Hardware Kit

INSTALLATION INSTRUCTIONS



6-Lite Door*



8-Lite Door*

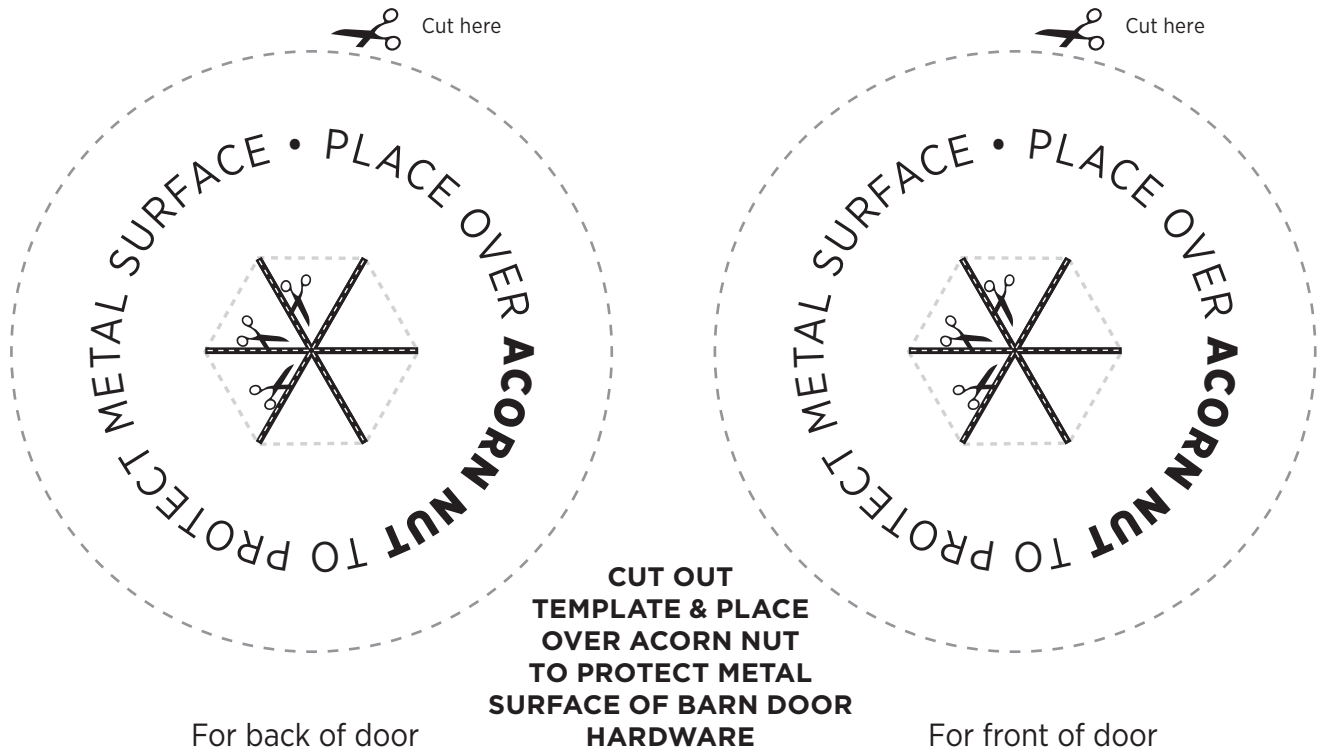
MKTD4005 - ENG - REV 0



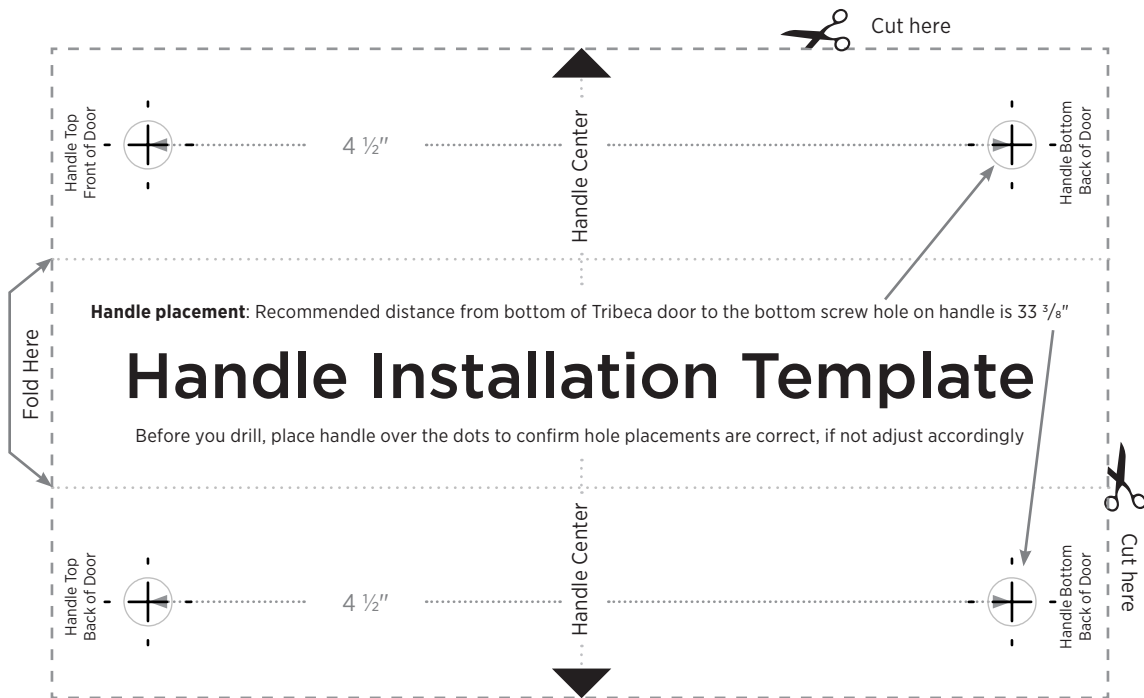
REQUIRES
TWO
PEOPLE

*Backer-Board optional - not included in kit

STEP A Cut Out Acorn Nut Protectors For **Step 1**



STEP B Cut Out Handle Installation Template For **Step 5**



PLEASE READ CAREFULLY

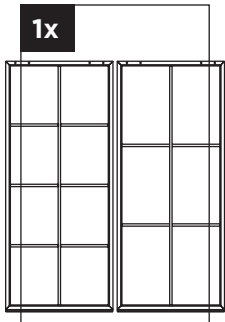
- Read all instructions carefully.
- Protect your eyes by wearing safety goggles.
- Keep the installation area free of clutter.
- Follow each step completely before starting the next step.

IMPORTANT!

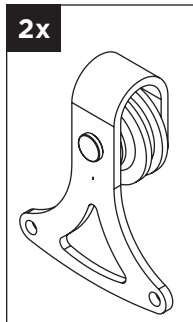
VERIFY THAT ALL PARTS ARE INCLUDED IN THE PACKAGING. IF ANY PARTS ARE MISSING, DO NOT RETURN THIS PRODUCT TO THE STORE.

FOR PARTS ASSISTANCE, PLEASE CALL 1-800-493-5263 BETWEEN 8:30 AM AND 4:30 PM EST, MONDAY TO FRIDAY. SUPPORT IS PROVIDED IN ENGLISH, FRENCH AND SPANISH.

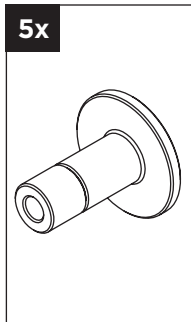
PACKAGE CONTENTS



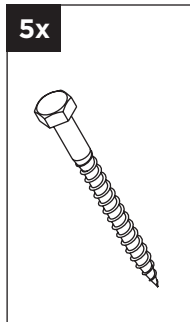
1x Tribeca 6 or 8 Lite Barn Door



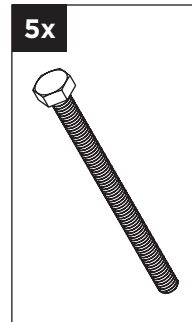
2x Custom Strap (with Bolt, Washer and Acorn Nut)



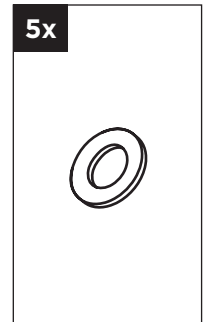
5x Track Stanchion & Spacer



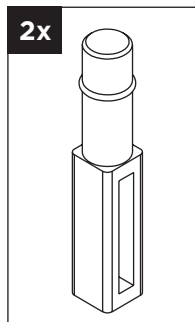
5x Track Mount Lag Screws (Direct to Stud)



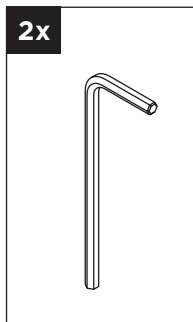
5x Track Mount Lag Bolts



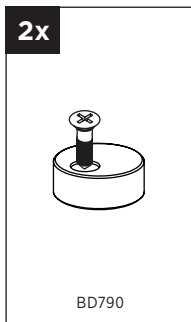
5x Track Mount Washer



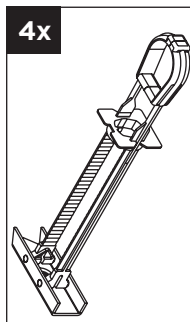
2x End Stop



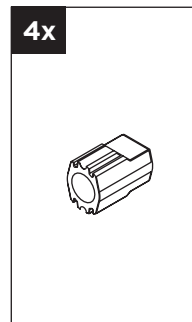
2x Allen Key



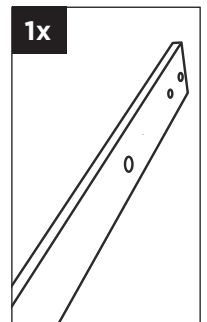
2x Anti-Jump Block (BD790)



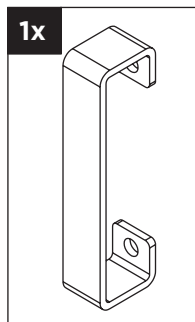
4x Flip Toggle Anchor



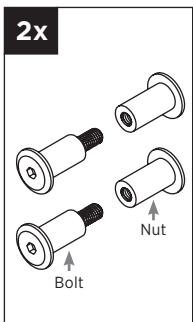
4x Bolt Support Insert



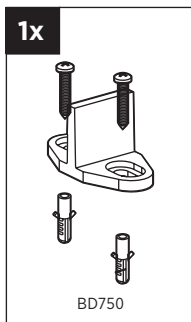
1x Flat Track



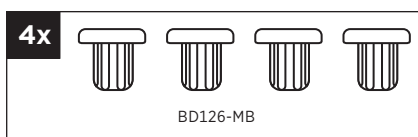
1x Handle



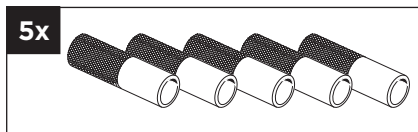
2x Handle Barrel Nuts & Bolts



1x Floor Door Guide (BD750)

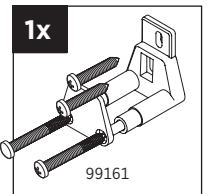


4x Barn Door Track Joiner Plugs (BD126-MB)

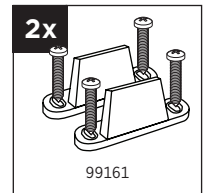


5x Carriage Anchor 1 1/4" (Option)

OPTION



1x Wall Door Guide (99161)

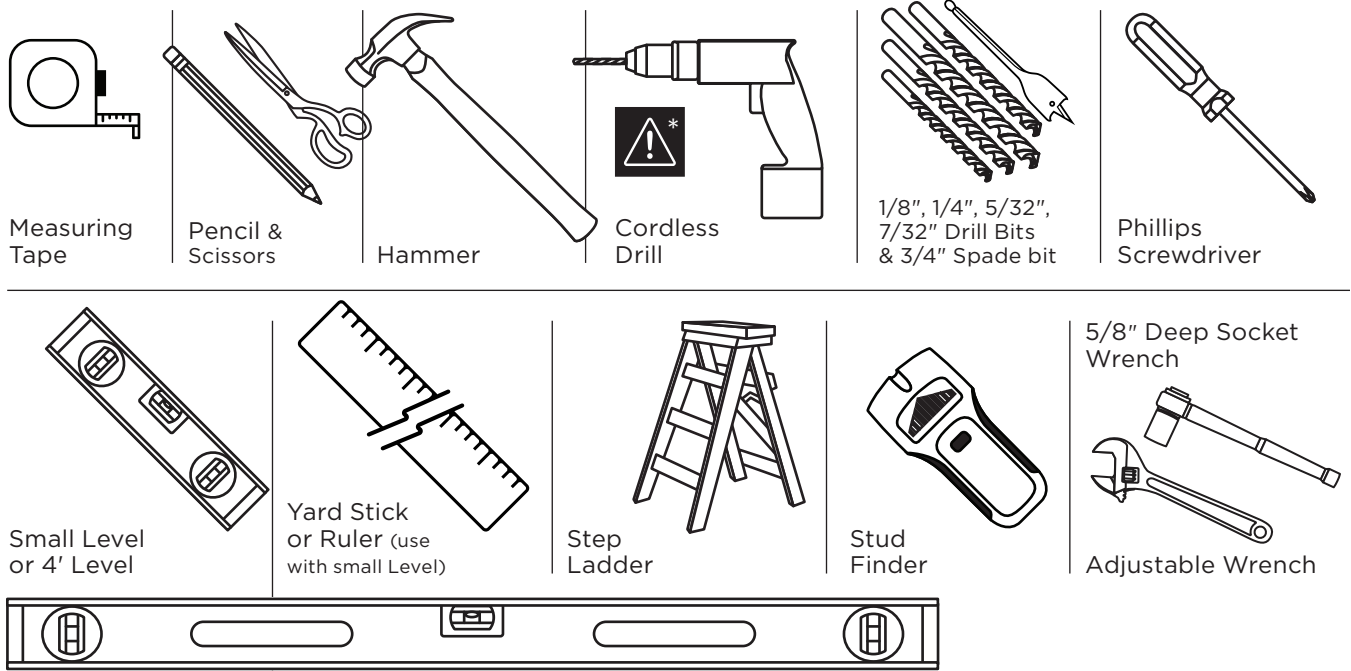


2x Floor Door Guide (99161)



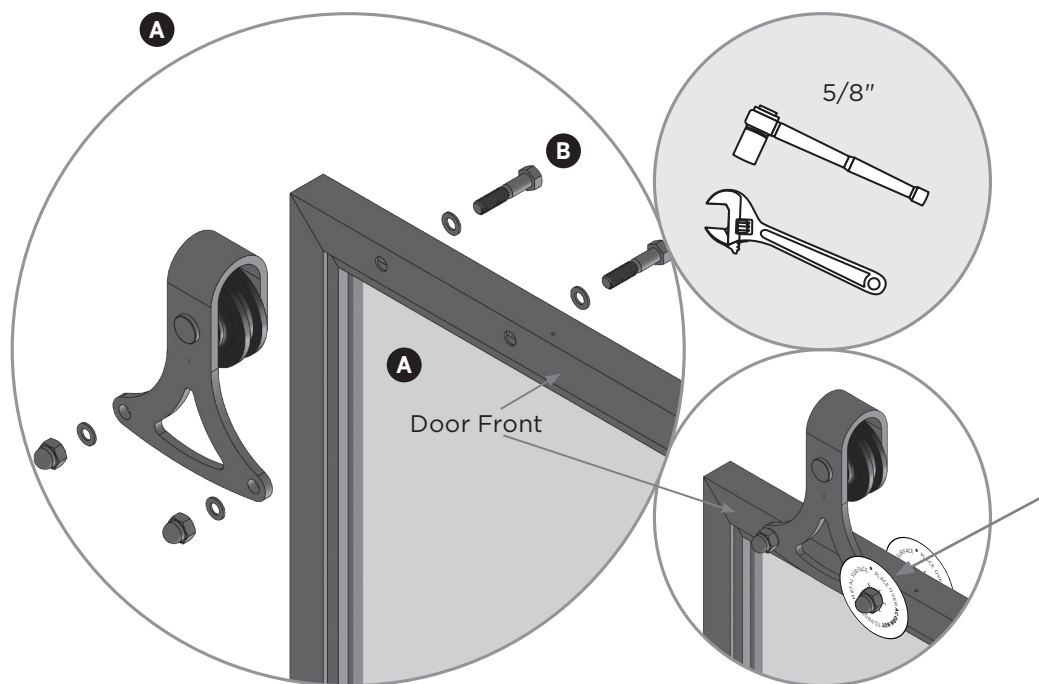
WARNING: Drilling, sawing, sanding or machining wood products can expose you to wood dust, a substance known to the State of California to cause cancer. Avoid inhaling wood dust or use a dust mask or other safeguards for personal protection. For more information go to www.P65Warnings.ca.gov/wood.

TOOLS REQUIRED (NOT PROVIDED)



STEP 1 Install The Hanger Straps

Securing the Hanger Strap hardware to the door



A) Determine the front side of the door by the texture of the glass insert, the glossy side to the front, the matte finish to the back.

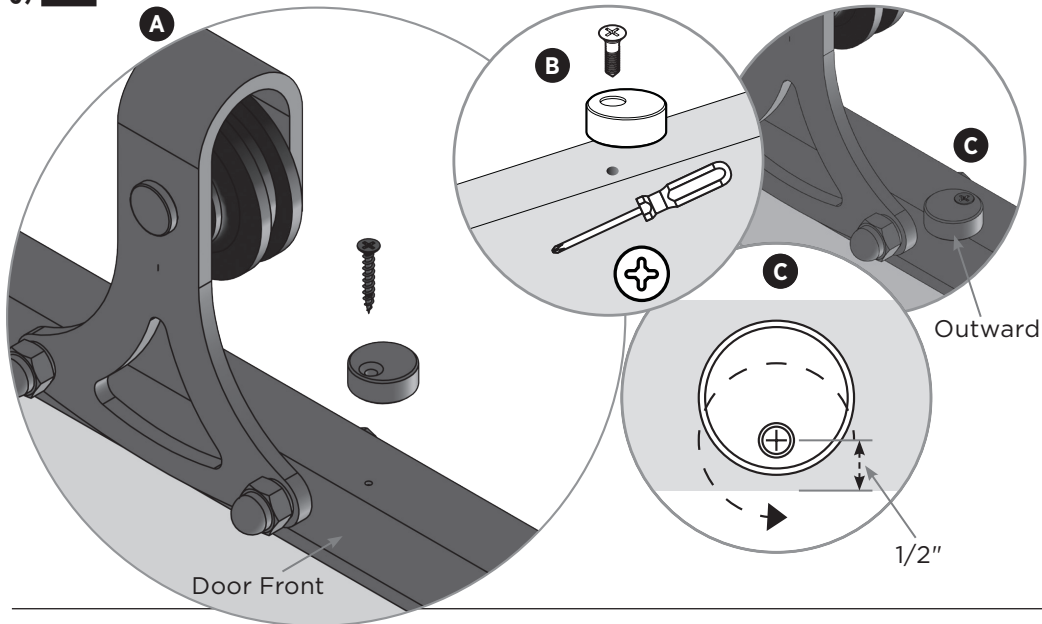
B) From the back of the door, insert Strap Bolts and Washers. From the front of the door, position the strap so the wheel is located to the back as shown, attach Washers and Acorn Nuts and tighten to secure the hardware.

C) Repeat above **Steps A** and **B** for the second Hanger Strap hardware.

Note 1: Cut out and use the two supplied templates on the back of the cover page (**Step A - on page 2**) to protect the metal surface of the Acorn Nut and Strap.

Note 2: Do not over tighten to avoid distorting the Tribeca door frame.

STEP 2 Installing the Anti-Jump Blocks on the door



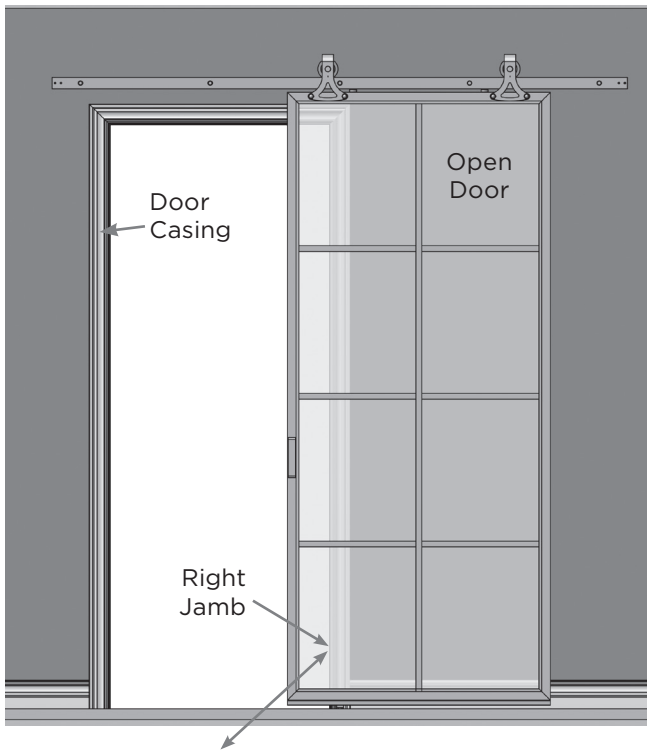
- A)** Affix an Anti-Jump Block and screw into the pre drilled holes located appx. 9" from each edge and toward the front face of the rail.
- B)** Screws should be tightened just enough to hold the anti-jump from spinning freely, but still be able to be rotated for door installation and securing.
- C)** Rotate the blocks outward (towards the front of door) to allow the door to be mounted onto the Track.

STEP 3 Pick Your Door Opening Location

Determine what direction your door will be opening

A) Door opens to the right

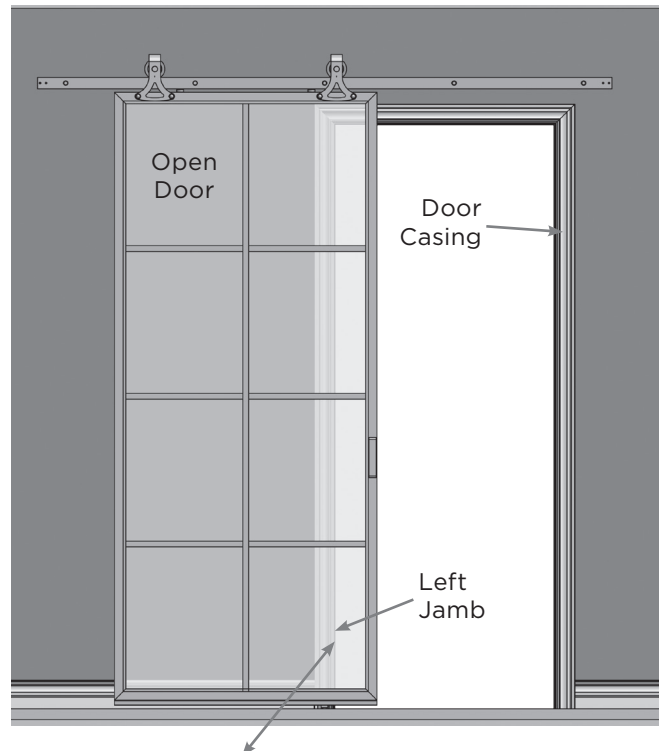
These instructions will focus on right opening doors



Instructions will be referring to this side of the door jamb

B) Door opens to the left

For this application work from the left jamb

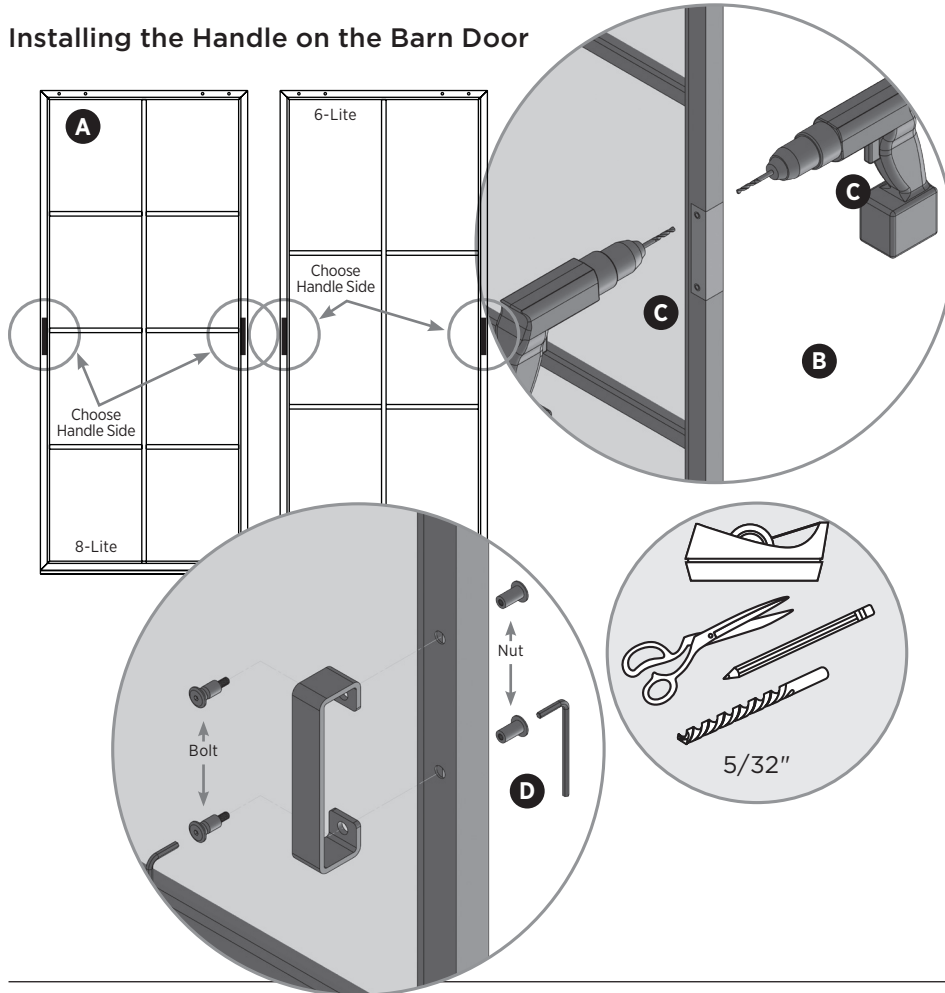


If you have a left opening door, all your measurements will be focusing on this door jamb

STEP 4 Install The Handle

Template available below

Installing the Handle on the Barn Door



A) Determine which direction your door will be opening. If your door opens to the right, your handle will be installed on the left side. If your door opens to the left, your handle will be installed on the right side as per the image.

B) Cut out the handle template from **(Step B - on page 2)** with a pair of scissors and fold along the 2 dotted lines. Place the template onto the appropriate side of the door (determined in Step 3a) so the bottom hole positioned 33-3/8" from the bottom of the door and affix with masking tape front and back.

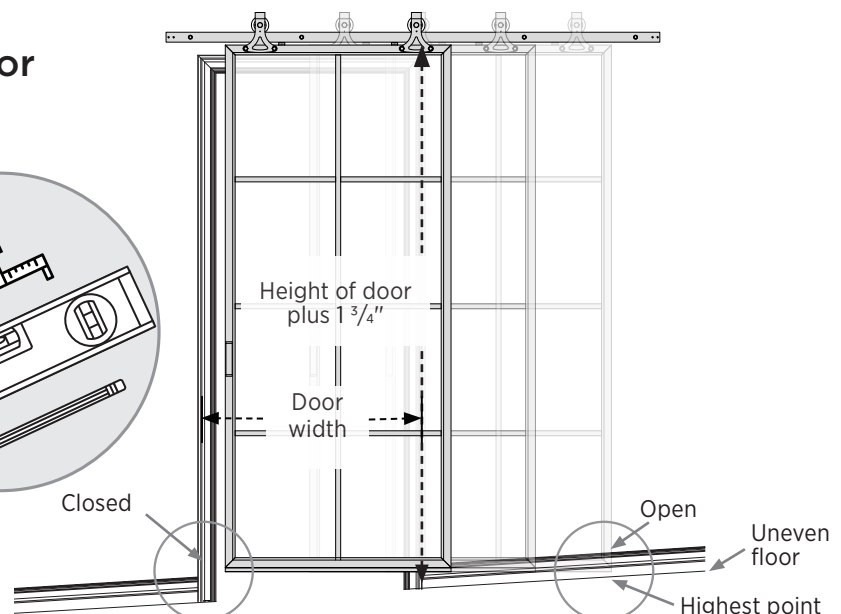
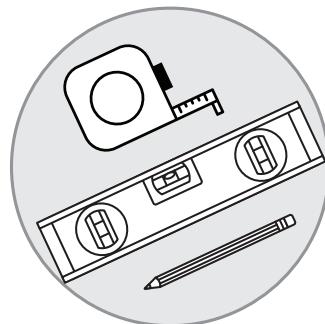
C) Drill a hole through the front wall of the stile using a 1/4" drill bit at each hole location. Repeat the hole drilling on the back wall of the stile.

D) Insert a Barrel Nut through each handle hole, then through the drilled holes in the front face of the door. Insert a Barrel Nut through each drilled hole in the back face of the door and tighten with the Allen keys provided until tight.

Note 1: DO NOT over tighten.

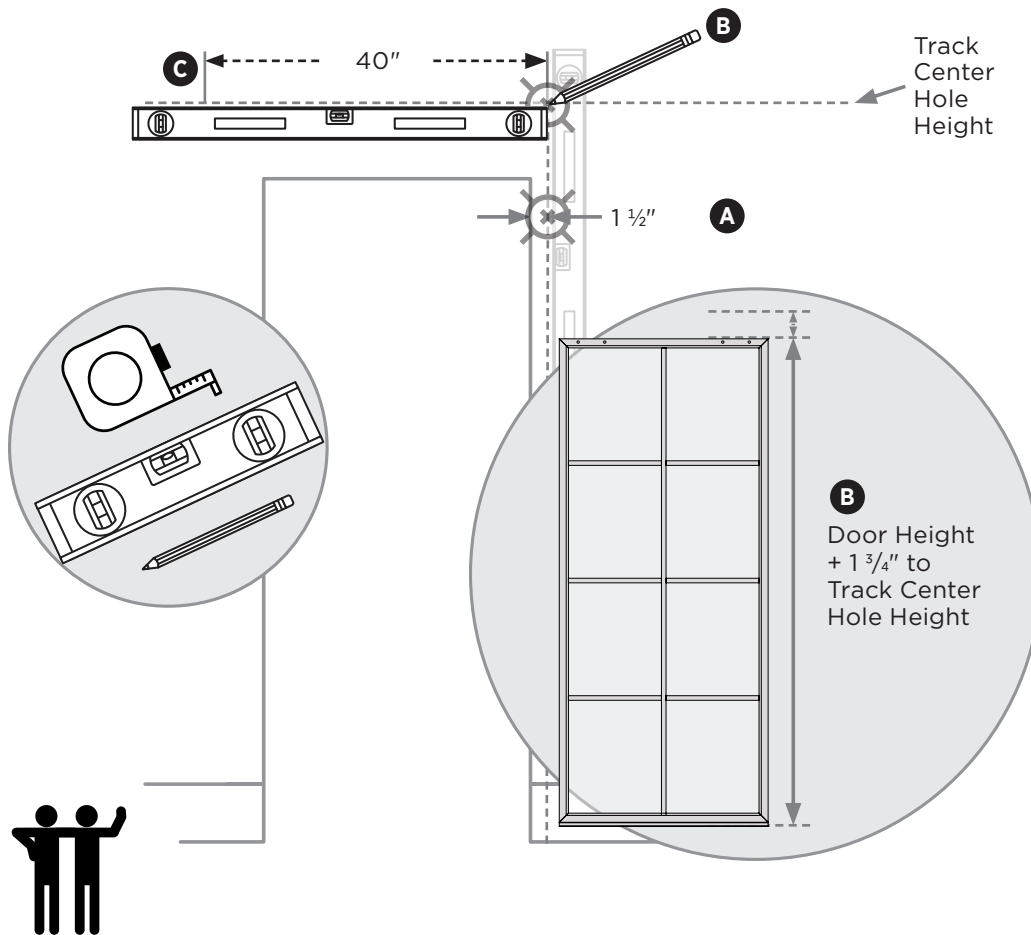
STEP 5 Check For Level Floor

- A)** Use a Level to check if your floor is uneven before making measurements.
- B)** Select the highest point on the floor and measure up 85-3/4" from that point.
- C)** Make a light pencil X mark on the wall



STEP 6 Measure And Center The Track Location Onto The Wall

Mark track location



A) Once you determine which side of the opening your door will open to, measure $1\frac{3}{4}$ " (4.5 cm) to the right and mark your center point then draw a light vertical line (roughly 6" upward past the door opening (this determines the vertical center of the Track).

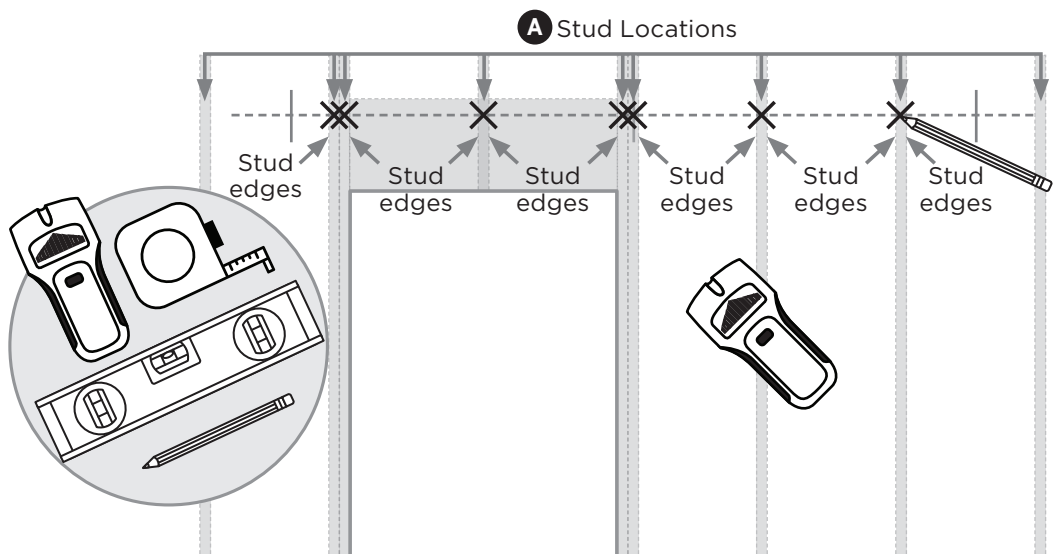
Note 1: For this instruction we are working on a door opening to the right (**Step 3-A**)

B) Measure up from the floor, (at the location determined in **Step 5**) the height of your door (84") plus $1\frac{3}{4}$ " (4.5 cm), then make a light pencil "X" mark on the wall.

Note 2: Make sure **Step 4-B** "X" mark is Vertically aligned with **Step 4-A** "X" mark

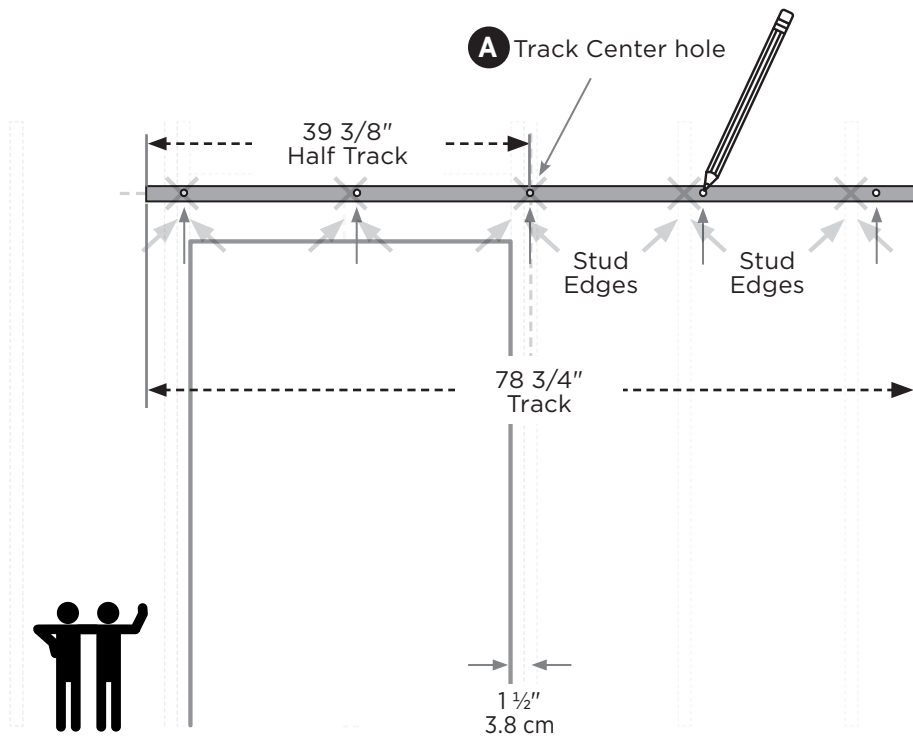
C) Use a 4' level, lightly draw a horizontal pencil line approximately 40" long on each side of the (**B**) "X" mark.

STEP 7 Locate And Mark The Stud And Header



A) Use a stud finder to locate and mark the center and edges of each stud and mark with an "X", as well as the top of the door frame header to ensure it is at least 1" above the line drawn.

STEP 8 Mark The Track Position



A) Using the track as a template, position the tracks center hole over the drawn horizontal line's center "x" mark (**Step 5-C**).

Note 1: The center track hole **MUST** hit a stud center or Header.

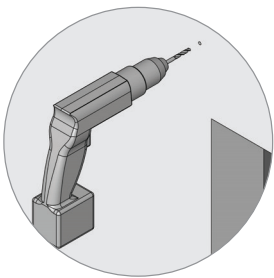
(B) Using the marked studs (**Step 6**) for position - move the track center hole slightly left or right until it is centered on the stud (the track has a couple inches extra on both sides to compensate)

(C) Check if any of the other track holes align with the edge of a stud - if so - move the Track so it aligns close to the center or misses the stud by approximately 1", without affecting the other holes alignments.

Note 2: At this point you will need a helping hand.

D) Once all track holes are in safe positions, Mark the holes accordingly for stud/header or wall anchor drilling.

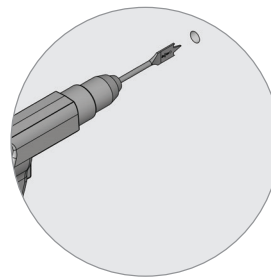
STEP 9 Drill Holes For Studs



A) Drill the hole locations going into a wood stud or header with a 7/32" drill bit to a depth of appx. 1 1/2".



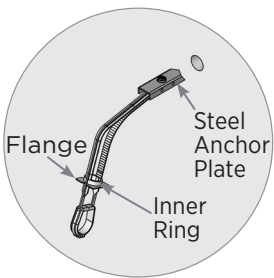
STEP 10 Drill Holes For Anchors



A) Drill the hole locations requiring a Flip Toggle with a 3/4" spade bit.

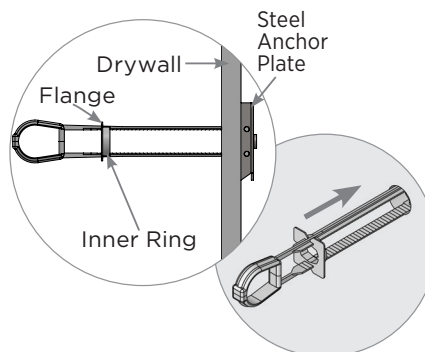
Note: Flip Toggle Anchor required if you are not drilling into a stud.

STEP 11 Insert Anchor



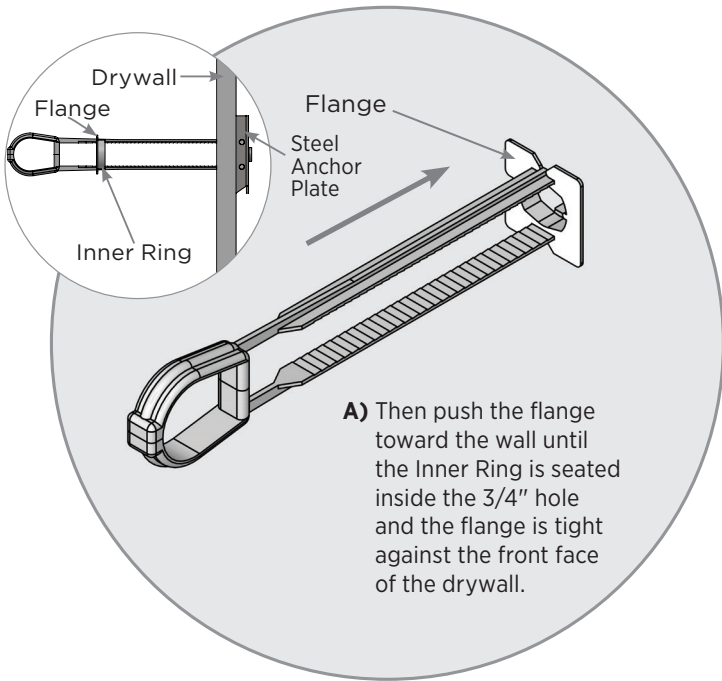
A) For the wall anchor locations, fold the anchor up so the pointed end of the steel anchor plate is inserted first entirely through the drywall with the threaded hole on top as shown.

STEP 12 Anchor Plate To Drywall

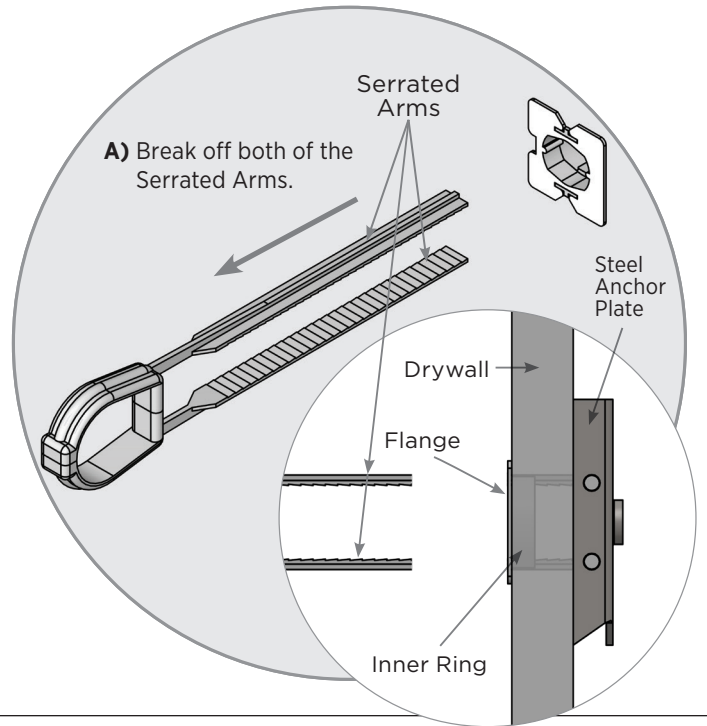


A) Keep the pull ring vertical and pull the anchor back so the steel anchor plate sits vertically against the inside face of the drywall.

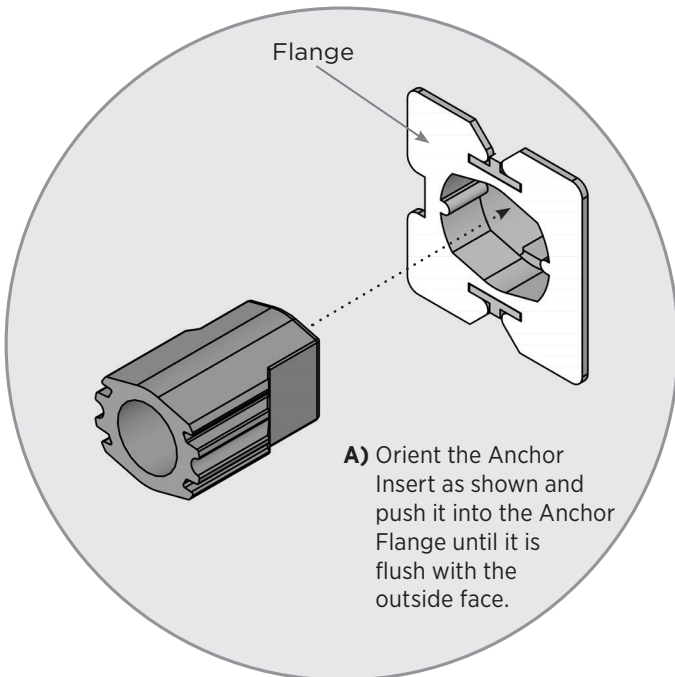
STEP 13 Tighten Flange To Drywall



STEP 14 Break Off Serrated Arms

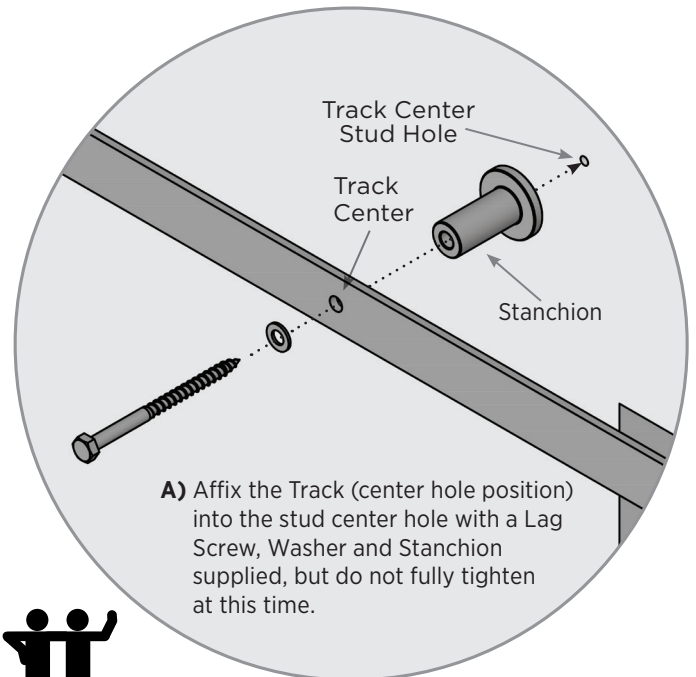


STEP 15 Insert Anchor Insert



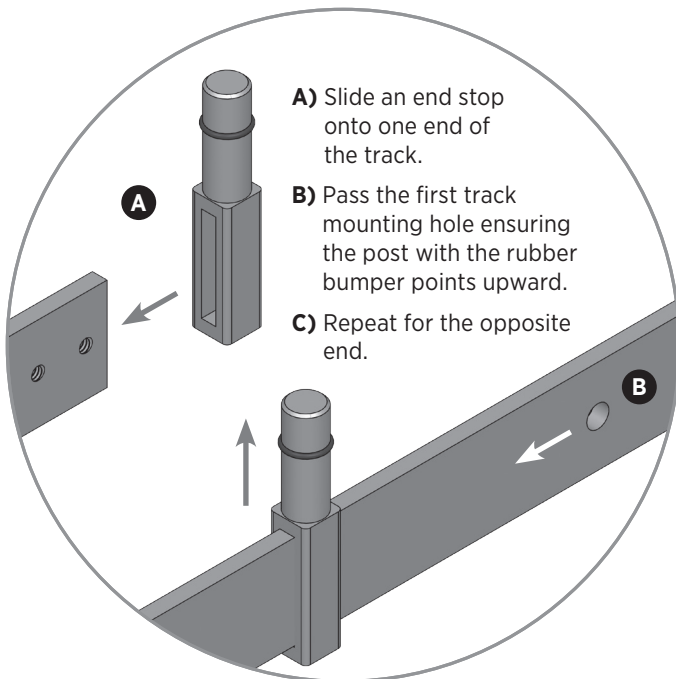
Note: Prior to inserting the Anchor Insert, ensure there is NO drywall paper or debris covering or inside the threaded anchor plate, so the bolt will thread easily.

STEP 16 Affixing Track Center With Lag Screw



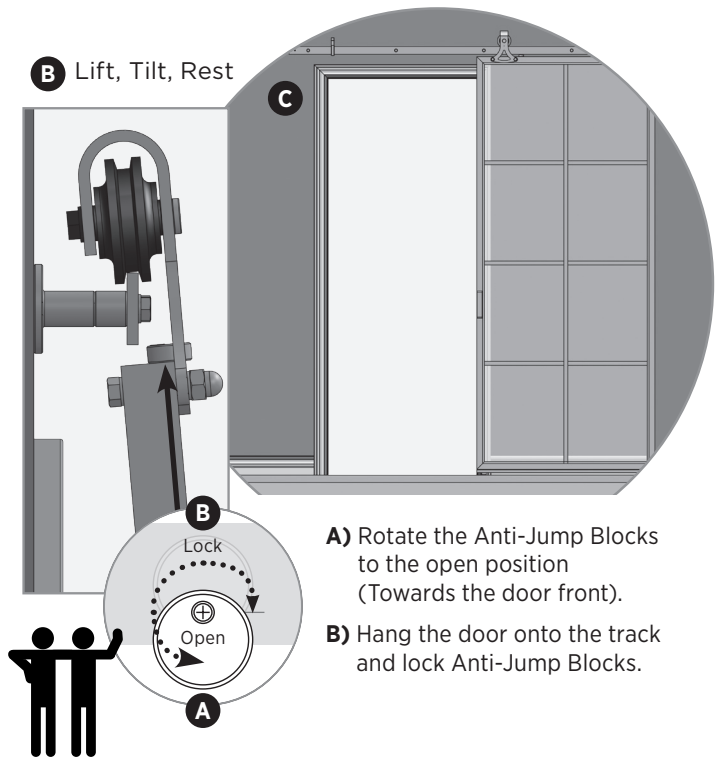
Note: The Stanchion should be oriented as shown between the track and the wall with the flange of the Stanchion against the wall.

STEP 17 Slide End Stops onto Track

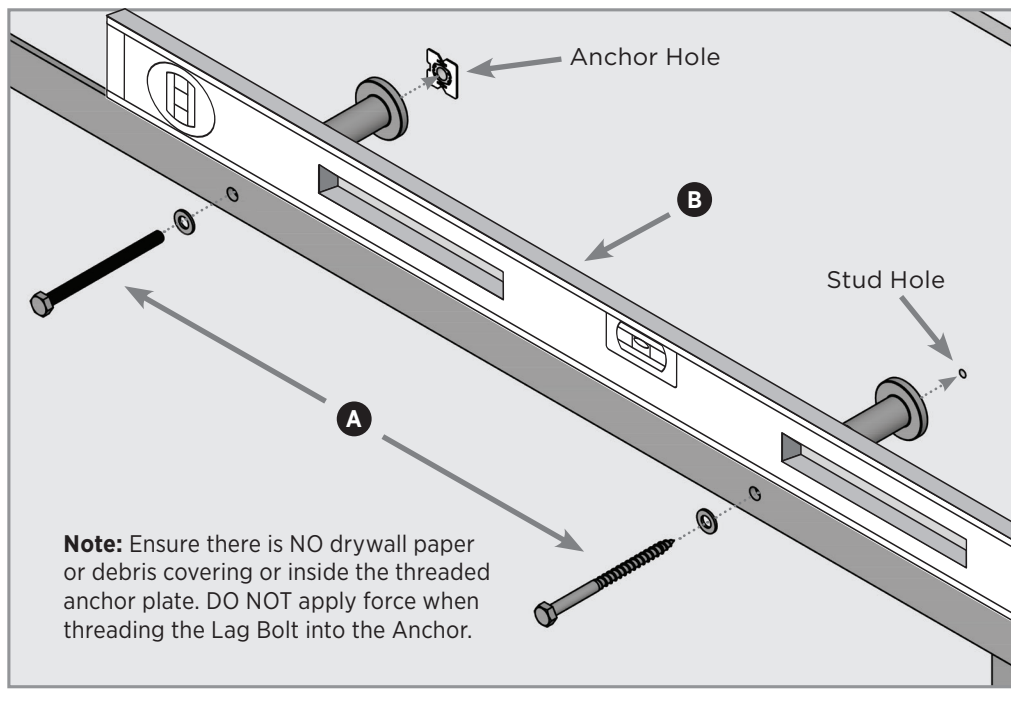


Note: Step 18 below

STEP 19 Place Door On Track



STEP 18 Finish Affixing The Track To The Wall



A) Finish affixing the track to the wall with the appropriate remaining fasteners (Lag Screws or Lag Bolts) along with Washers and Stanchions as shown.

Note 1: Do not fully tighten at this time.

B) Use a level to check the track is level, and adjust accordingly.

C) Tighten all 5 fasteners.

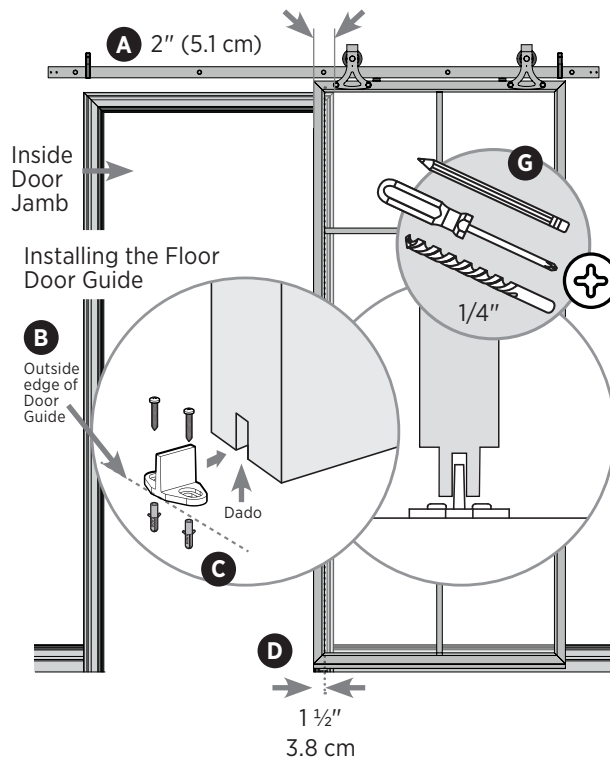
Note 2: Do not over tighten, fasteners should be snug.

STEP 20 Installing the Door Guide

Note: A Door Guide helps to keep your door stable and limits swinging. The following instructions provided are for the recommended Floor Door Guide. If you prefer to install a wall door guide see below for optional instructions.

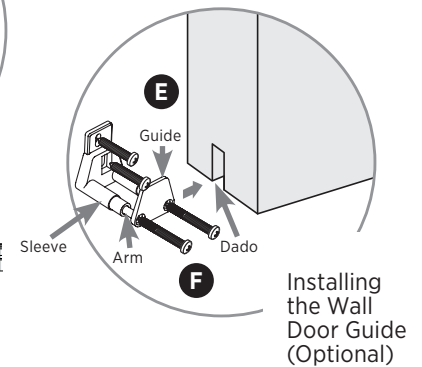
FLOOR DOOR GUIDE (Recommended)

- A)** Slide the door over 2" (5.1 cm) past the door jamb in order to prepare for the Floor Guide.
- B)** Position the outside edge of the Floor Guide 1 1/2" (3.8 cm) from the jamb, adjacent to the dado slot and mark the location of the guide on the floor.
- C)** If required, pilot hole drill 1/4" for the floor anchors or secure directly into the floor.

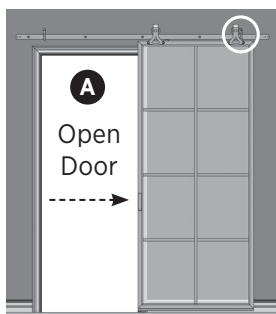


WALL DOOR GUIDE

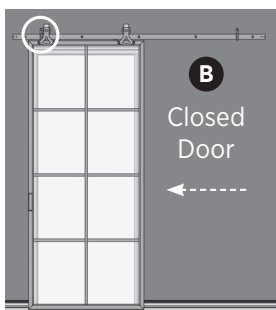
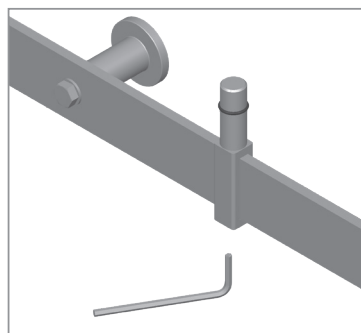
- D)** With the screws provided secure the guide 1 1/2" (3.8 cm) from the door jamb directly into the baseboard or wall.
- E)** Line up the guide with Dado location by pushing Guide arm in or out until you have the Guide lined up with Dado.
- F)** Pre-insert the screws on the Wall Door Guide Arm by hand.
- G)** Tighten the pre-inserted screws with a #2 Phillips Screwdriver.



STEP 21 Set End Stops

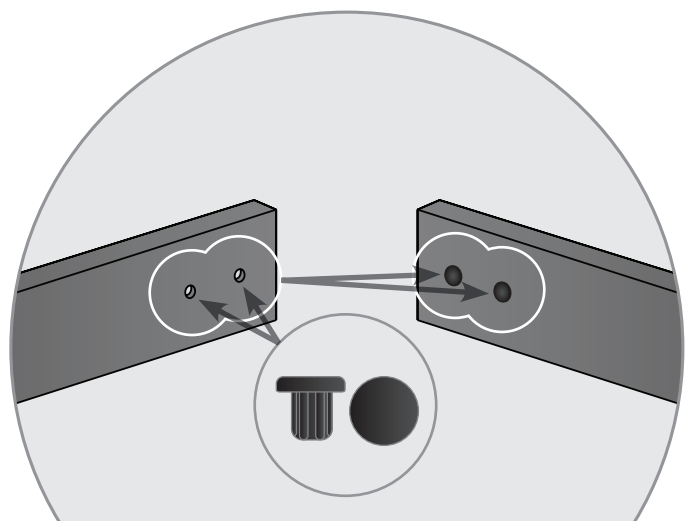


- A)** Move the door to the open position, flush with the inside door jamb face, then slide the end stop toward the door until it contacts the wheel and tighten with the Allen key provided.



- B)** Move the door to the closed position, centered over the opening, then slide the other end stop toward the door until it contacts the wheel and tighten.

STEP 22 Finish the installation



- A)** To finish the installation attach the Barn Door Track Joiner Plugs to both ends of the Track.

Tribeca Barn Door Hardware Kit

BASIC BARN DOOR CARE & MAINTENANCE

- Before you remove the door from its protective plastic bag, we advise that the door is acclimatized in the room you plan to install the door for 24 hours.
- Avoid installing near rooms with moisture or where temperatures change through the seasons (optimal relative humidity in your home to prevent warp, twist, swelling, or shrinking in any wood product is 45% – 60%. Anything outside these parameters and their effects are not the responsibility of Renin).
- Immediately clean spills with terry cloth or micro fiber to avoid damaging the surface. Do not use any hard tools or such that may scratch the surface, including pressure washers.
- Hang one door per track or a maximum weight of 250 lbs for two bypass doors (bypass hardware sold separately).
- Install indoors only.
- Do not trim the door.
- Lift and install with two people.

SOLID WOOD BARN DOOR (SPECIFIC CARE & MAINTENANCE)

- Do not clean with solvents or commercial cleaners as they may damage the finish and / or distort the natural texture of the wood. When cleaning, wipe with a damp cloth or sponge. For persistent stains, try baking soda and water in small test area before attempting to remove the stain.
- For painted doors, a good quality oil based primer and oil based paint to be used in finishing. Consult a paint professional where you purchased this door for their recommendations. Typically sanding the entire door with 220 grit sandpaper, then applying two coats of your desired finish is adequate to get your desired finish.
- For stained doors, a high quality water-based or oil-based stain is recommended. Follow the stain manufacturer's instructions, and do not thin the stain with any chemicals or water. In a high humidity environment use an oil based stain.
- BE SURE TO FINISH ALL SIX SURFACES. Your door, as typical of all wood products, is subject to swelling and shrinkage when changes occur in temperature and the relative humidity in your home.
- Inspect your door's finish at least once a year and re-finish as necessary, clean only twice a year or as needed.
- It is important that you take care to properly finish this wood door. After you have removed the door from its protective plastic bag, it must be finished and sealed on all six sides ideally within 24 hours. Sealing the door properly will prevent door movement, such as warping and twisting, that occurs if the door is not sealed. Failure to seal the door properly will void the manufacturer's warranty.
- Pre-drill any holes for hanging straps (where applicable) and before applying any additional accessory hardware.

PRE-STAINED BARN DOOR (SPECIFIC CARE & MAINTENANCE)

Our barn doors are hand crafted and stained by our artisan painters to offer a premium quality and one of a kind finish to your door. Please note there may be imperfections in the wood and stain due to the nature of the materials used to create this natural and authentic appearance. As our barn doors are hand stained, they will emit an odor. The door has been placed in a protective plastic sleeve to ensure it arrives to you in the best condition possible. The sleeve does not allow the stain to off-gas as it would had the door not been protected. The smell could last from a few days to one week depending on the ventilation in the room and will decrease over this time. You may choose to leave the door in a low traffic area of your home until the smell has dissipated and the door has acclimatized to the humidity levels in your home (Opening of a window or two will help to ventilate the area and speed up the process). Any alternative methods to remedy the odor are at the purchaser's preference. Please use at your own discretion.

- Do not clean with solvents or commercial cleaners as they may damage the finish on the door. When cleaning, wipe with a damp cloth or sponge in a small test area before attempting to remove any stain.
- Pre-stained barn doors offers an easy-to-maintain solution that is ready-to-hang.
- Because the barn door is pre-stained, do not paint or stain the door. By doing so, the stain will be damaged and will void the manufacturer's warranty.

ENGINEERED WOOD BARN DOOR (SPECIFIC CARE & MAINTENANCE)

- Engineered barn doors are finished with scratch resistant wrapped paper. Each design is pre-finished and offers an easy-to-maintain solution that is ready-to-hang.
- Because the barn door is pre-finished, do not paint or stain the door. By doing so, the wrapped paper will be damaged and will void the manufacturer's warranty.
- Do not clean with solvents or commercial cleaners as they may damage the finish on the door. When cleaning, wipe with a damp cloth or sponge in a small test area before attempting to remove any stain.
- Pre-drill any holes for hanging straps (where applicable) and before applying any additional accessory hardware.
- Engineered barn doors are not recommended to be used with the Top of Door mounting straps due to the nature of the wood composite.

5 YEAR LIMITED WARRANTY

Products warrantied against manufacturing defects for up to five years from the purchase date. The warranty applies only to the original purchaser of the product.

If a product is determined to be defective due to a manufacturing defect, a replacement product will be supplied. The scope of the warranty is limited to replacing the product and does not include labor required to install, repair or deliver, or any costs related to removing the existing product.

This warranty is void in the event that the product is damaged in transit, or if damage or failure is caused by abuse, misuse, storage of products in an improper environment, abnormal usage, faulty installation, failure to follow installation instructions, damage in an accident, improper maintenance, or any repair.

We reserve the right to inspect any claim prior to issuing credit.
